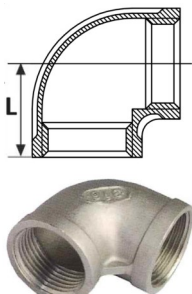


RACCORDI INOX FILETTATI MICROFUSI SERIE LEGGERA

Solo in A.316
 Normative ISO 4144 - EN 10241
 Rating nominale PN 10

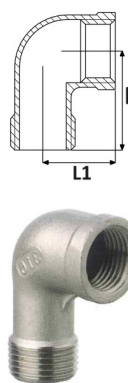
Tutti i filetti maschio sono conici ISO 7
 Tutti i filetti femmina sono cilindrici ISO 228

GOMITO A 90° F/F
 Cod. RG 309F



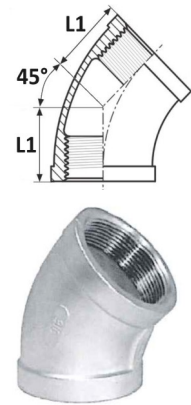
MISURE	
	L
1/8"	19
1/4"	21
3/8"	25
1/2"	28
3/4"	33
1"	38
1 1/4"	45
1 1/2"	50
2"	58
2 1/2"	69
3"	78
4"	96

GOMITO A 90° M/F
 Cod. RG 313F



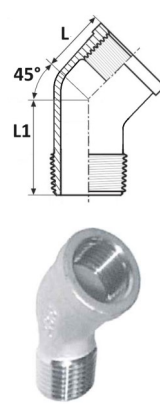
MISURE		
	L	L1
1/8"	25	19
1/4"	28	21
3/8"	37	25
1/2"	41	28
3/4"	48	33
1"	54	38
1 1/4"	60	45
1 1/2"	70	50
2"	84	58
2 1/2"	96	69
3"	103	78
4"	125	96

GOMITO A 45° F/F
 Cod. RG 121F



MISURE	
	L1
1/8"	18
1/4"	19
3/8"	20
1/2"	22
3/4"	25
1"	28
1 1/4"	33
1 1/2"	36
2"	43
2 1/2"	50
3"	56
4"	67

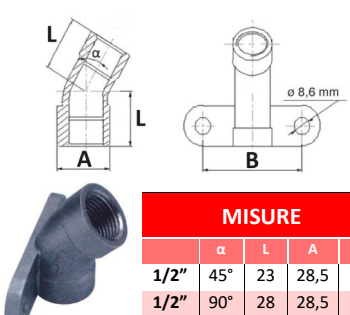
GOMITO A 45° M/F
 Cod. RG 122F



MISURE		
	L	L1
1/8"	16	21
1/4"	17	23
3/8"	19	27
1/2"	21	31
3/4"	25	36
1"	29	42
1 1/4"	34	49
1 1/2"	37	51
2"	42	59
2 1/2"	49	71
3"	54	79
4"	65	96

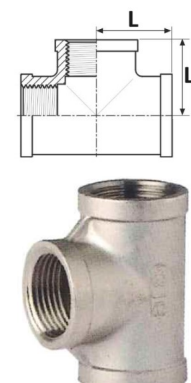
FORNIBILE SOLO SERIE PESANTE

GOMITO FF CON FLANGIA
 Cod. RG 111FP (45°)
 Cod. RG 112FP (90°)



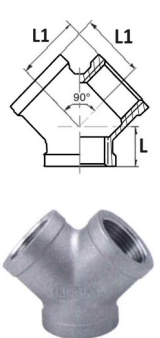
MISURE				
	α	L	A	B
1/2"	45°	23	28,5	55
1/2"	90°	28	28,5	55

TEE F/F/F
 Cod. RG 308F



MISURE	
	L
1/8"	19
1/4"	21
3/8"	25
1/2"	28
3/4"	33
1"	38
1 1/4"	45
1 1/2"	50
2"	58
2 1/2"	69
3"	78
4"	96

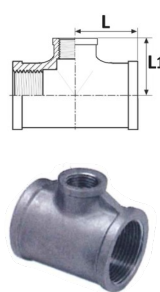
DEVIAZIONE A "Y" F/F/F
 Cod. RG 319FP



MISURE		
	L	L1
1/4"	10	17
1/4"	13	19
3/8"	14	23
1/2"	18	27
3/4"	20	32
1"	23	38
1 1/4"	28	46
1 1/2"	30	48
2"	34	57

FORNIBILE SOLO SERIE PESANTE

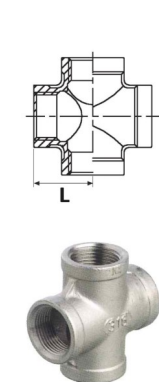
TEE RIDOTTO F/F/F
 Cod. RG 308RFP



MISURE		
	L	L1
1/4" x 1/8"	18	19
3/8" x 1/4"	20	22
1/2" x 3/8"	26	25
3/4" x 1/2"	30	32
1" x 3/8"	32	33,4
1" x 1/2"	35	35
1" x 3/4"	34	38
1 1/4 x 1/2"	38	40
1 1/4 x 3/4"	40	42
1 1/4 x 1"	35	42
1 1/2 x 3/4"	38	43
1 1/2 x 1"	41	45
1 1/2 x 1 1/4"	45	48
2" x 1/2"	38	48
2" x 3/4"	41	49
2" x 1"	44	51
2" x 1 1/4"	48	54
2" x 1 1/2"	52	55

FORNIBILE SOLO SERIE PESANTE

CROCE F/F/F/F
 Cod. RG 180F



MISURE	
	L
1/8"	19
1/4"	21
3/8"	25
1/2"	28
3/4"	33
1"	38
1 1/4"	45
1 1/2"	50
2"	58
2 1/2"	69
3"	78
4"	96

Misure passibili di variazioni